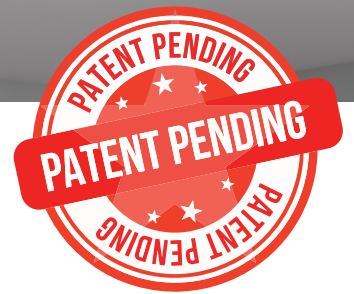




STYLE & DESIGN BAU GMBH



Lichttemperatur CCT

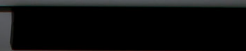
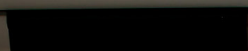
Neutral White (NW)
4000 K

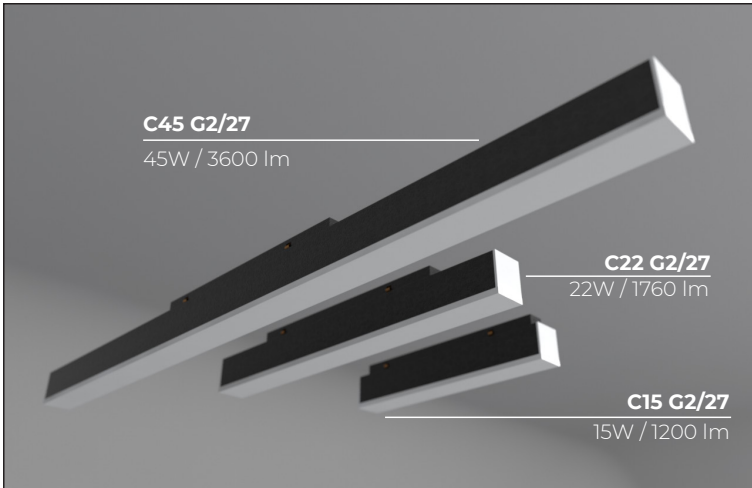
Warm White (WW)
3000 K



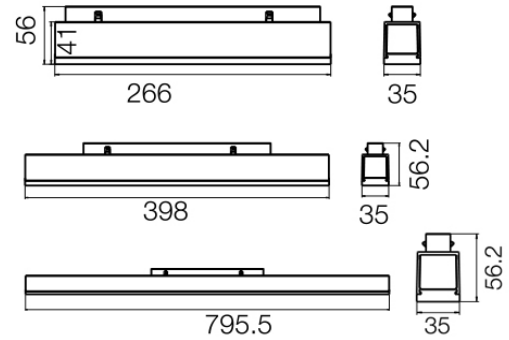
Warm White (WW)
3000 K

Neutral White (NW)
4000 K





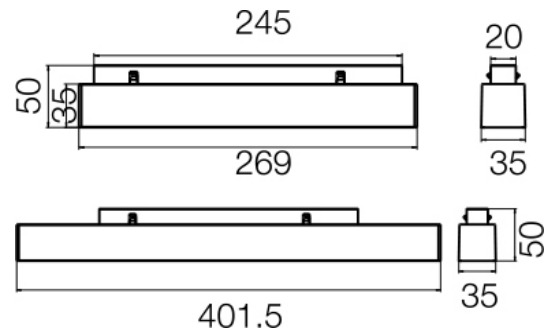
- LED linear light modular Philips 2835 LED
- CRI >90
- CCT NW 4000K / WW 3000K
- DC24V
- Aluminum + Acrylic
- Sandy black finish color body
- Beam angle 120°
- IP 20
- Non-dimmable



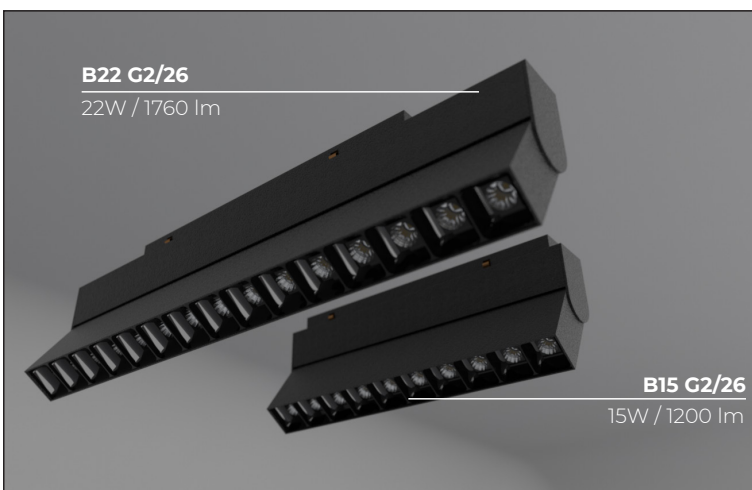
C45 G2/27
C22 G2/27
C15 G2/27



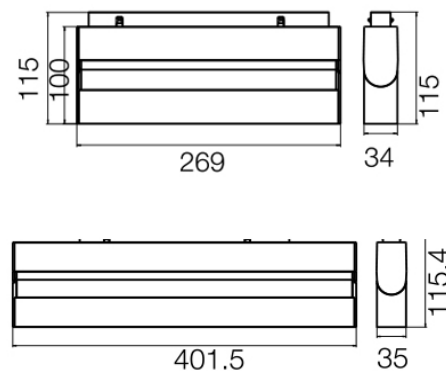
- LED linear light modular Philips 3030 LED
- CRI >90
- CCT NW 4000K / WW 3000K
- DC24V
- Aluminum + PMMA
- Sandy black finish color body
- Beam angle 30°
- IP 20
- Non-dimmable



A22 G2/26
A15 G2/26

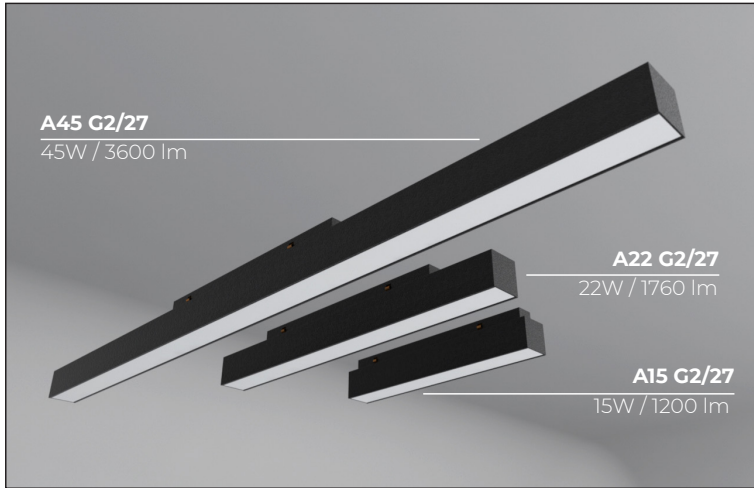


- LED linear light modular Philips 3030 LED
- CRI >90
- CCT NW 4000K / WW 3000K
- DC24V
- Aluminum + PMMA
- Sandy black finish color body
- Beam angle 30°
- IP 20
- Non-dimmable

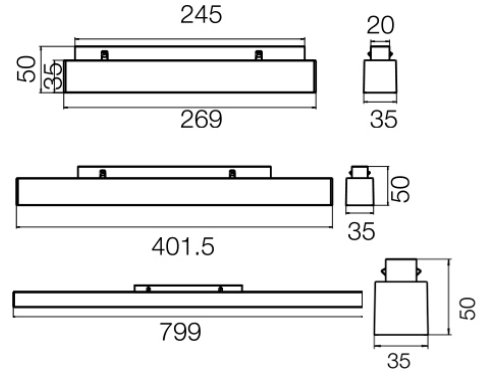


B22 G2/26
B15 G2/26

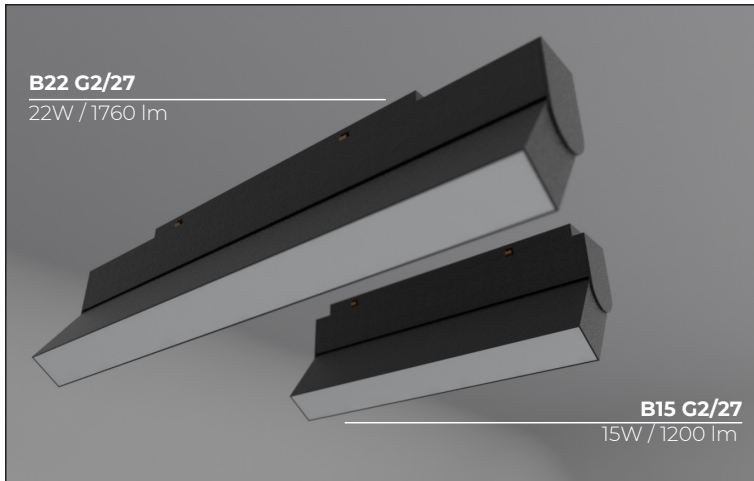




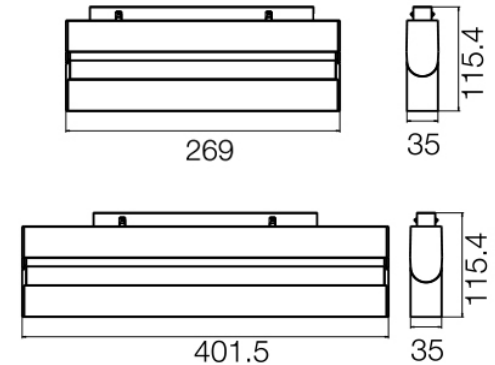
- LED linear light modular Philips 2835 LED
- CRI >90
- CCT NW 4000K / WW 3000K
- DC24V
- Aluminum + PMMA
- Sandy black finish color body
- Beam angle 120°
- IP 20
- Non-dimmable



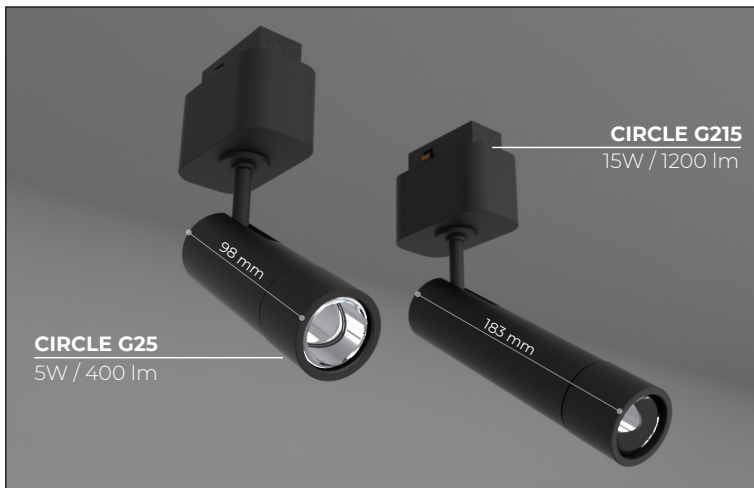
A45 G2/27
A22 G2/27
A15 G2/27 -



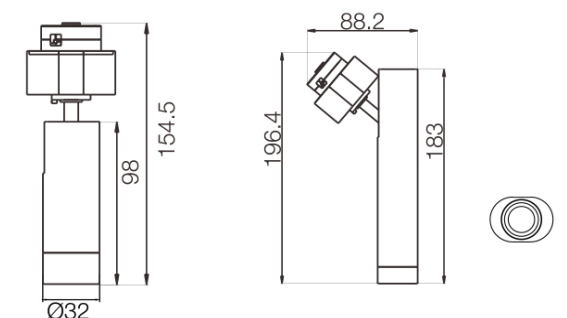
- LED linear light modular Philips 2835 LED
- CRI >90
- CCT NW 4000K / WW 3000K
- DC24V
- Aluminum + PC
- Sandy black finish color body
- Beam angle 120°
- IP 20
- Non-dimmable



B22 G2/27
B15 G2/27



- LED spot light modular COB chip
- CRI >90
- Anti-Glare
- CCT NW 4000K / WW 3000K
- DC24V
- Aluminum body
- Sandy black finish color body
- Beam angle 35°
- IP 20
- Non-dimmable

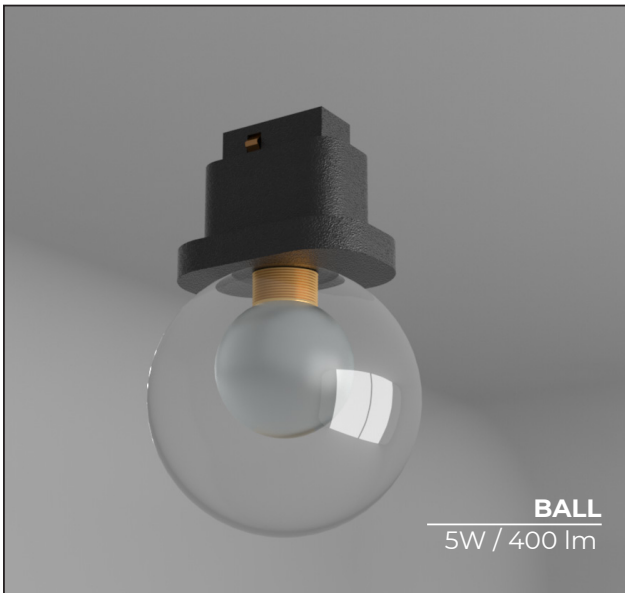
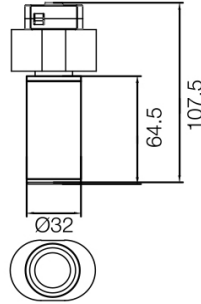


CIRCLE G25
CIRCLE G215

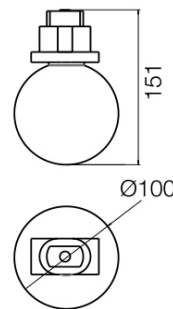




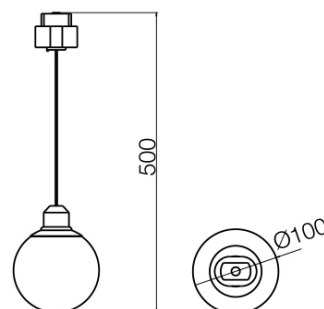
- LED spot light modular COB chip
- CRI >90
- CCT NW 4000K / WW 3000K
- DC24V
- Aluminum body
- Sandy black finish color body
- Beam angle 35°
- IP 20
- Non-dimmable



- LED ball light modular Philips SMD chip
- CRI >90
- CCT NW 4000K / WW 3000K
- DC24V
- Glass body
- Beam angle 120°
- IP 20
- Non-dimmable

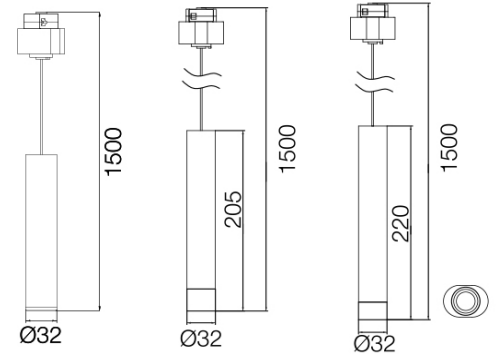


- LED ball light modular
- Hanging Philips SMD chip
- CRI >90
- CCT NW 4000K / WW 3000K
- DC24V
- Glass body
- Sandy black finish color body
- Beam angle 35°
- IP 20
- Non-dimmable

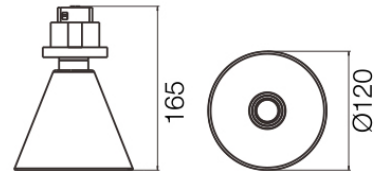




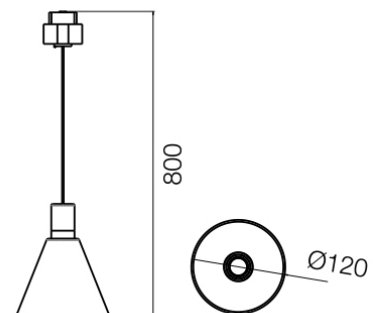
- LED spot light modular COB chip
- CRI >90
- CCT NW 4000K / WW 3000K
- DC24V
- Aluminum body
- Sandy black finish color body
- Beam angle:
35° (MSD 10 and MSDA 10), 120° (MSE 15)
- IP 20
- Non-dimmable

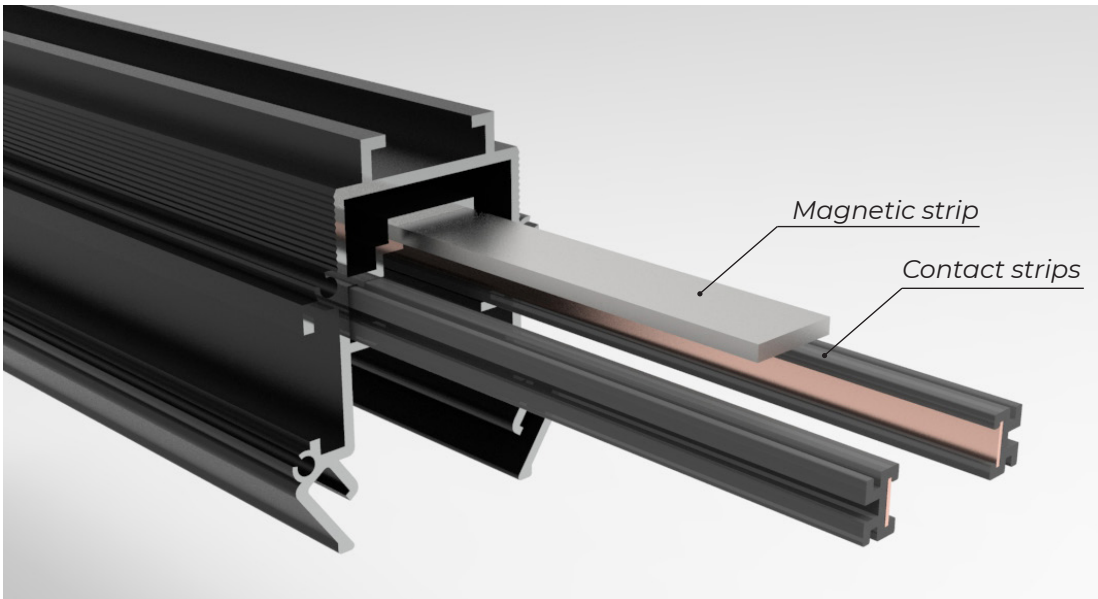


- LED ball modular Philips SMD chip
- CRI >90
- CCT NW 4000K / WW 3000K
- DC24V
- Glass body
- Beam angle 120°
- IP 20
- Non-dimmable

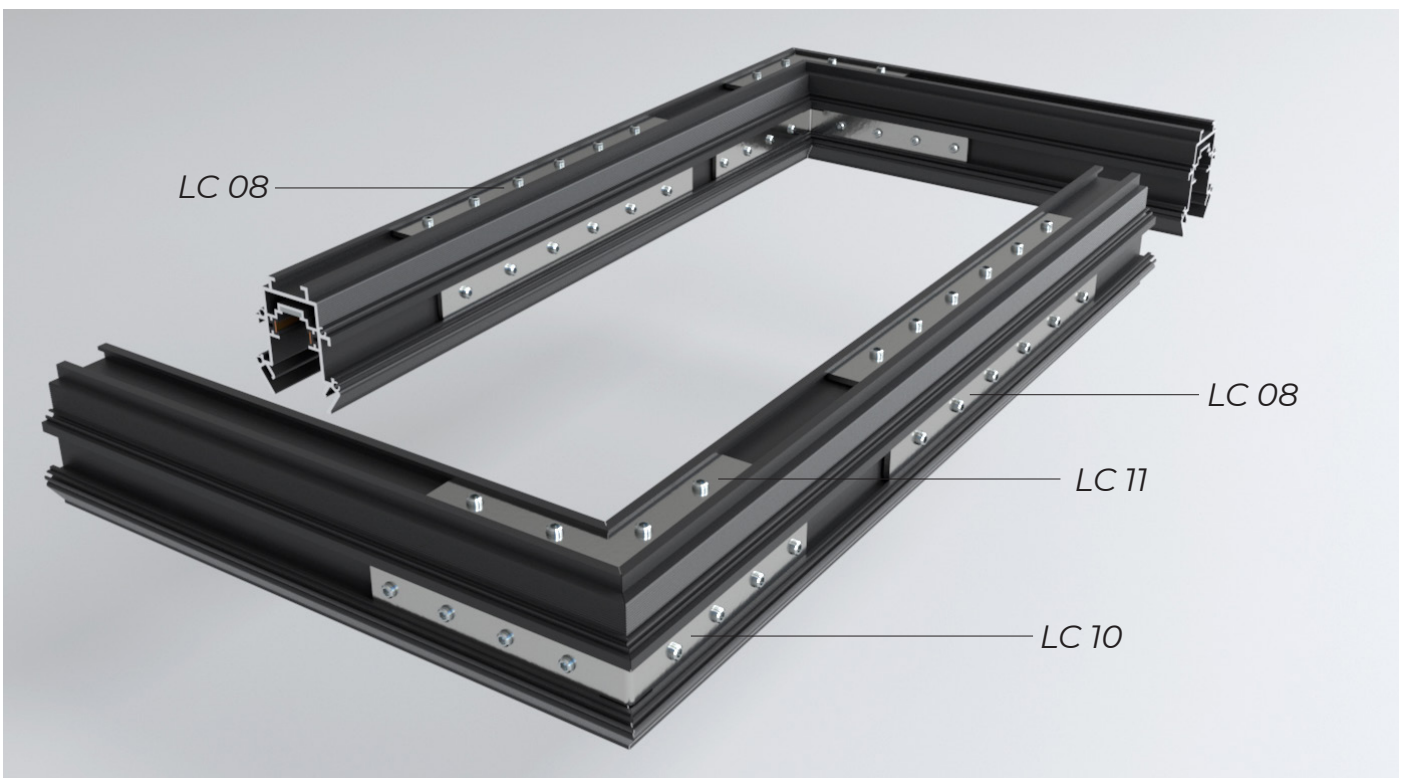


- LED ball modular
- Hanging Philips SMD chip
- CRI >90
- CCT NW 4000K / WW 3000K
- DC24V
- Glass body
- Sandy black finish color body
- Beam angle 35°
- IP 20
- Non-dimmable





AL 31 Easy Light set - using with MINI harpoon
(included Electrically conductive contact strips and Magnetic strip)



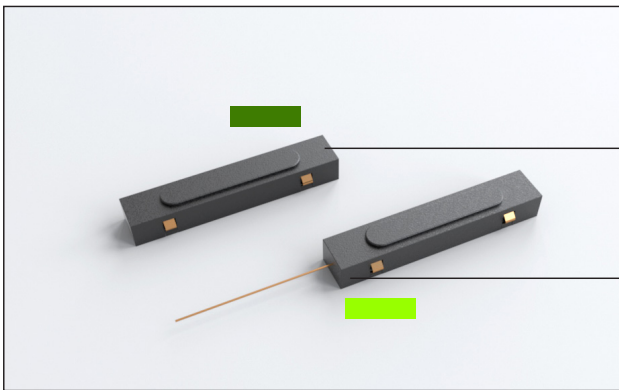
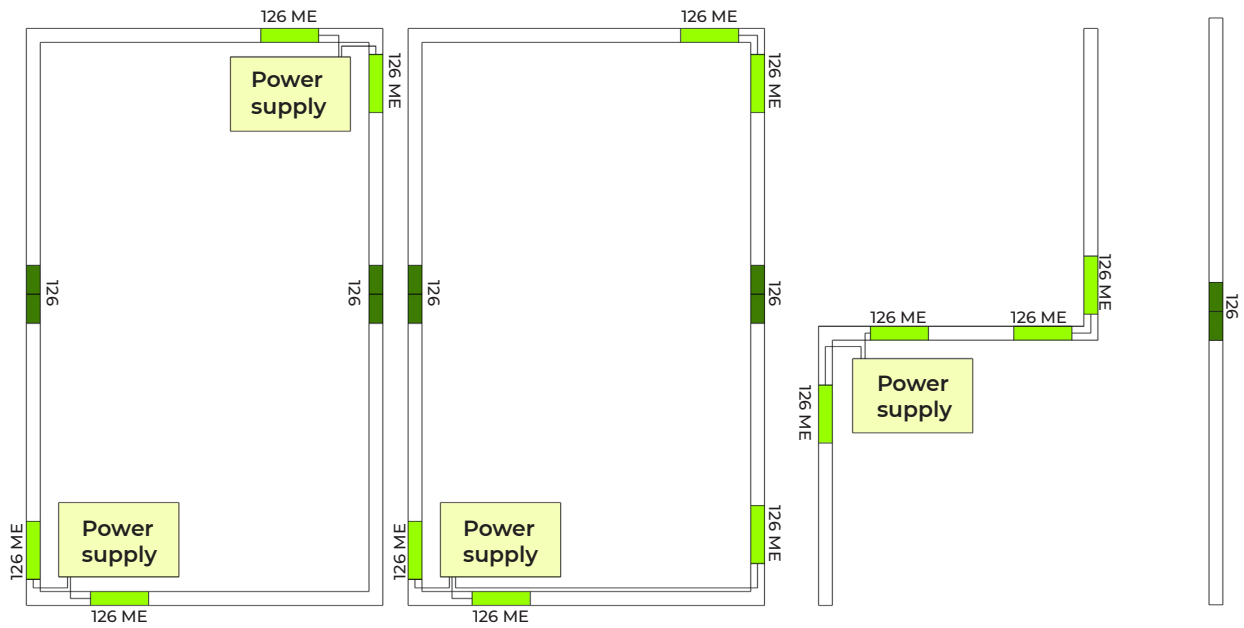
Connectors for AL 31 Easy Light

- LC 08
- LC 10
- LC 11

** Each set includes 1 metal plate and bolts*

Ziehen Sie die Schrauben der LC-Verbindern vorsichtig an, um eine Verformung der Profilseitenwände zu vermeiden!

Anschlusschema



CABL KIT WW
Connector for profile extension

CABL cable WW
Connector for power transmission

